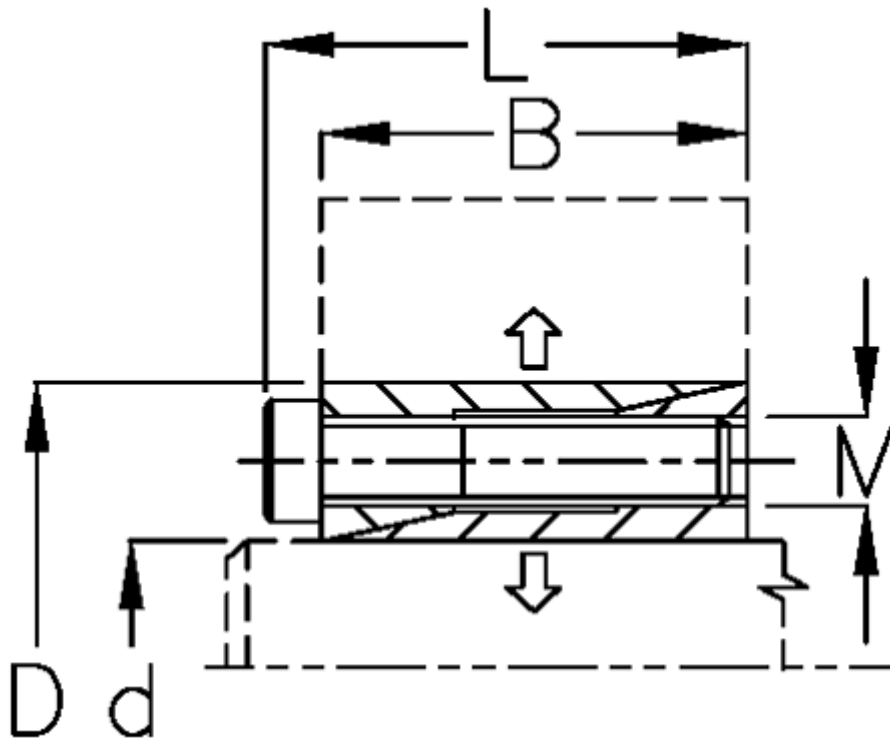


Article number: 435700009

Description: Rota-fix shaft-hub connection K 9x20

Note: Self centering. Medium torque

## Measures



B mm	= 13
d mm	= 9.00
D mm	= 20
Fit tolerance	= Aksel h8, Nav H8
F kN torque	= 3.0
L mm	= 15.5
M mm	= M2,5
P N/mm <sup>2</sup> surface pressure on shaft/hub	= 55

Surface roughness	= R? ? 3.2 µm
T N m torque	= 15
Ts N m bolt tightening torque	= 1.2